

Press Release

The modular portfolio of Poly-clip System – optimally configured for every production scale

Hattersheim am Main, May 2026

Production processes in the food industry often change more quickly than planned. New products, increasing pressure to improve efficiency, and growing demands for flexibility continually present new challenges for craft businesses, medium-sized enterprises, and industrial food processors alike. Whether dealing with small batches and frequently changing product ranges or high-volume production, Poly-clip System demonstrates how this dynamic can be managed effectively. The specialist in clipping machines and clip packaging solutions presents a clearly structured portfolio for a wide range of production environments, designed in line with real-world growth processes.

Poly-clip System covers a broad range of applications with its machine portfolio. It extends from compact solutions such as manual single clipping machines, which enable entry-level use in craft operations, to high-performance fully automatic double clippers designed for automated processes with high production volumes. In between, there are numerous scalable solutions that can be adapted to different production quantities and individual requirements.

SCH 600/700 – high-performance single clipping machine for craft operations

The recently updated SCH 600/700 single clipping machines are even more powerful while also being more compact, and are primarily used in craft businesses. Their optimised design makes transport and handling easier. The machines reliably process plastic, fibrous, collagen, and natural casings up to a calibre of 90 mm. 3D-printed components have significantly reduced both weight and the effort required for closing sections, portions, and bags. The adjustable clip pressure and simple operation ensure high flexibility under changing operating conditions, making the SCH series single clipping machines efficient, user-friendly solutions.

PDC-A 700 and ES 6000 – automatic double clipper with integrated labeller

The PDC-A 700 double clipper is designed to handle the product diversity found in medium-sized craft and industrial businesses. It enables the efficient production of

Press Release

individual portions, chains, stick products, or whole rings. The machine operates fully automatically at high cycle rates and is suitable for a wide range of applications up to a calibre of 105 mm. For seamless traceability, the optional ES 6000 labelling system equips products directly during the clipping process with tamper-proof labels. To ensure maximum efficiency and operational safety, Poly-clip System has developed a quick-release coupling that allows clipping machines in the PDC-A series – as well as DC, PDC, and PDC-E models – to be connected to the filling machine easily, safely, and without the use of tools.

FCA 160 XL – for large calibres and high production volumes

The FCA 160 XL is an automatic double clipping machine for large-calibre products and high production volumes. It is characterised by its high throughput performance and precise clipping technology, which delivers reliable results even in demanding applications. The machine supports a wide range of packaging materials and allows flexible adaptation to different product requirements. Thanks to its robust construction, it helps reduce downtime and increases overall production efficiency.

TSCA 120 – sealing/clip machine

The TSCA 120 combines sealing and clipping in a single machine and stands for fully automatic, self-monitoring processes. It converts flat film from the roll into a ready-to-fill tube, which is securely closed in the integrated clipping unit. The sealing/clip machine achieves up to 120 cycles per minute in continuous operation.

It is suitable, for example, for portioned sausages in the calibre range up to 120 mm. When equipped with an easy-open film, it is an optimal solution for producing snack products.

Consulting as the key to optimally aligned processes

Poly-clip System's broad product portfolio underlines the core concept of the clipping technology specialist: it is no longer the individual machine that is the focus; what matters is how it integrates into existing processes. The experts from Hattersheim see themselves as partners along the entire production process. Poly-clip System supports companies in their decision-making with its extensive portfolio and qualified consulting services.

This ranges from selecting the right clipping machine to designing complete lines, including upstream and downstream processes as well as the integration of

Press Release

components from other suppliers. "Our customers do not grow in fixed stages; they develop dynamically. We adapt to this: we think in solutions that can be tailored to individual requirements and keep the entire process in view," emphasises Mesut Akbulut, CSO at Poly-clip System.

Text length: 4,731 characters including spaces

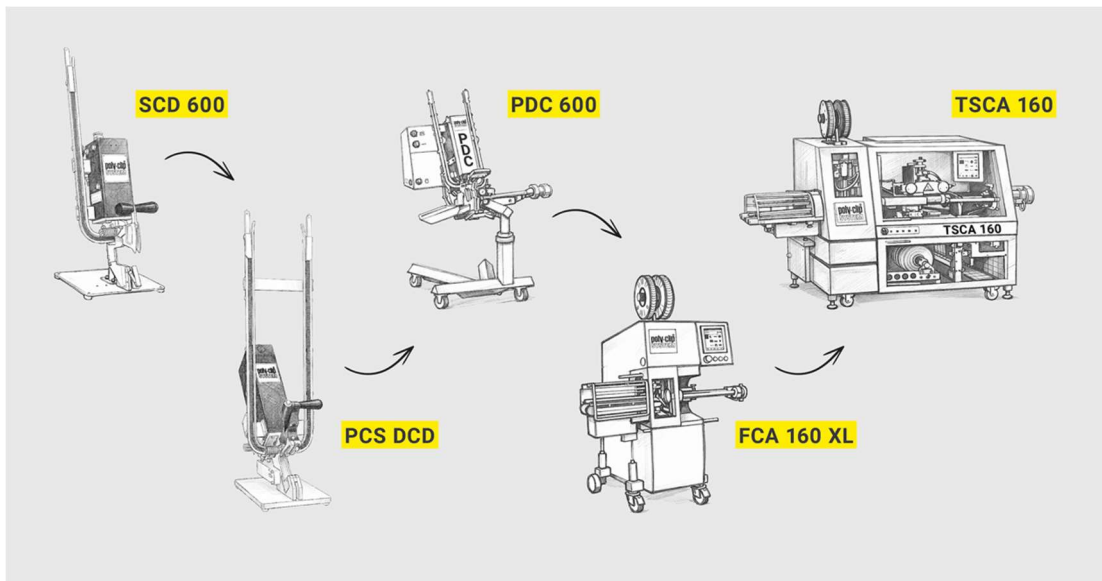
About Poly-clip System

Poly-clip System is the world's largest provider of sustainable clip closure solutions and is recognized as a global market leader and hidden champion in this segment of the food industry and packaging sector. The corporate group maintains 37 sales offices. Additionally, there are sales partners in nearly every country worldwide. Poly-clip System's clip closure solutions excel not only in the meat processing industry and butcher trade but also in numerous other sectors, such as the chemical industry. Current [news](#) about Poly-clip System can be found in the press section of the website.

Poly-clip System GmbH & Co. KG
Press and public relations
Linda Halter
Phone +49 6190 8886-277
Niedeckerstraße 1
D-65795 Hattersheim a. M.
Phone +49 6190 8886-200
Fax +49 6190 8886-15347
Internet www.polyclip.com

Press Release

Images: Copyright Poly-clip System GmbH & Co. KG

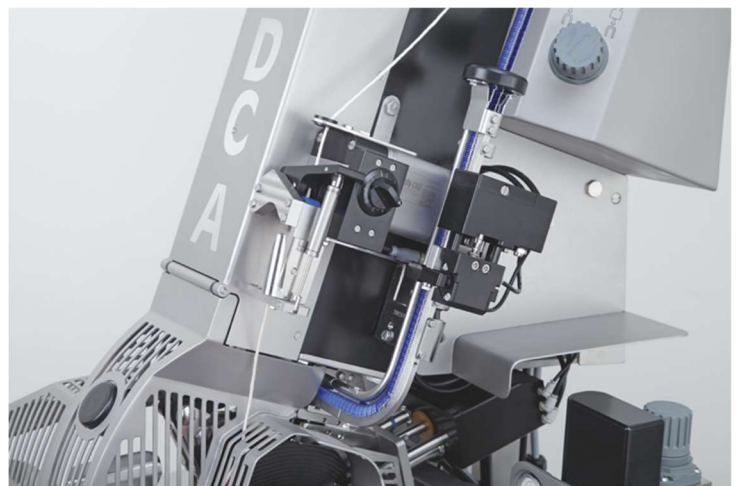


Poly-clip presents a clearly structured portfolio for a wide range of production environments, aligned with real-world growth processes.

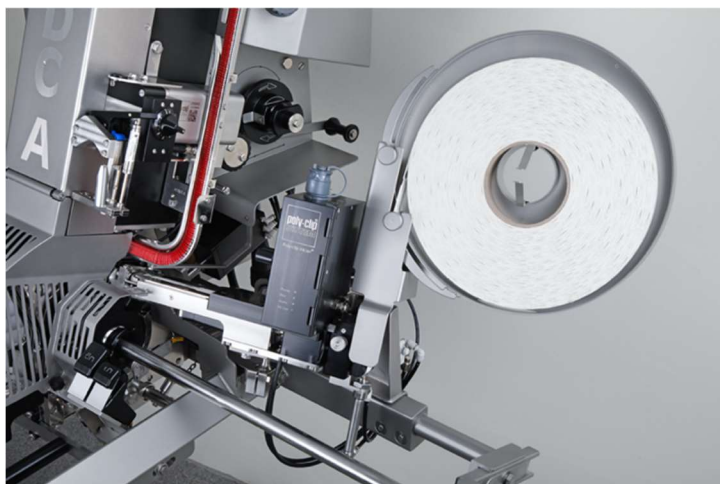


Consulting as the key to optimally aligned processes.

Press Release



The double clipper PDC-A 700 is tailored to the product diversity found in medium-sized craft and industrial operations.



For seamless traceability, the optional ES 6000 labeling system applies tamper-proof labels to the products directly during the clipping process.

Press Release



Mesut Akbulut, CSO Poly-clip System